

EES-AMBER 12x12 Vandal Resistant Ceiling Canopy



Project Information

Project Name: _____ Fixture Type: _____

Complete Catalog #: _____ Date: _____

Comments: _____

The EnviroLux EES-12x12 Amber Canopy luminaire is designed for wildlife, dark skies, or security applications requiring monochromatic AMBER light required for wildlife protection. Typical wall mounted lighting applications include retail centers, industrial parks, schools and universities, office buildings and medical facilities. Mounting heights of 12 to 18 feet can be used based on light level and uniformity requirements.

Specifications and Features:

Housing:

Die Cast Aluminum Housing, 1/2" Coin Plugs with O-rings for Conduit & Photocell on Two Sides & Back, Nickel-Plated Stainless Steel Hardware.

Listing & Ratings:

ETL: Listed for Wet Locations, ANSI/UL 1598, 8750. (Damp Locations When Used with QM.) IP65 Sealed LED Compartment.

Finish:

Textured Architectural Bronze Powdercoat Finish Over a Chromate Conversion Coating. Custom Colors Available Upon Request.

Lens:

Standard Clear UV-Stabilized Polycarbonate Prismatic or SoftLED LumaLens Opal UV-Stabilized Polycarbonate Vandal-Resistant Lens

Mounting Options:

Mount Directly Over a 4" Recessed Outlet Box, or Use 1/2" Surface Conduit or Quick-Mount Bracket.

EnviroLux LED:

Aluminum Boards

Wattage:

Array: 45w, System: 45w;

Array: 60w, System: 60w



Driver:

Electronic Driver, 120-277V, 50/60Hz or 347-480V, 50/60Hz; Less Than 20% THD and PF>0.90. Standard Internal Surge Protection 6kV. 0-10V Dimming Standard for a Dimming Range of 100% to 10%; Dimming Source Current is 150 Microamps.

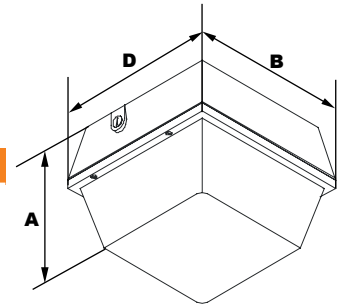
Controls:

Fixtures Ordered with Factory-Installed Photocell or Motion Sensor Controls are Internally Wired for Switching and/or 1-10V Dimming Within the Housing. Remote Direct Wired Interface of 1-10V Dimming is Not Implied and May Not Be Available, Please Consult Factory. Fixtures are Tested with EnviroLux Controls and May Not Function Properly With Controls Supplied By Others. Fixtures are NOT Designed for Use with Line Voltage Dimmers.

Warranty:

7-Year Warranty for -40°C to +40°C Environment.

See Page 2 for Projected Lumen Maintenance Table.



Dimensions

Width (D)	12 3/8" (314mm)
Length (B)	12 3/8" (314mm)
Height (A)	8 5/8" (219mm)

EnviroLux LED Technology

Complete Units Ordering Information
Example: **12X12QF1X45U600NMSZSP**

EES-AMBER 12x12 Vandal Resistant Ceiling Canopy

Model	Optics	Wattage	Driver	CCT	Lens	Color	Options
EES-12x12Q	F=Type V	1X45=45w 1X60=60w	U=120-277V H=347-480V* *37w Models Only	600NM=AMBER		Z=Bronze C=Custom (Consult Factory)	
						C=Clear Flat Glass Lens, P=Clear Flat Prismatic Glass Lens* *Use with F Optic Only.	
						SF=Single Fuse* DF=Double Fuse* SP=Surge Protection PC3=Photocell, 120-277VAC S2=Microwave Sensor with Dimming for Mounting Heights of 8' to 40'.* S4=Microwave On/Off Motion Sensor for Mounting Heights of 8' to 19'.* BU=Battery Backup* BUC=Cold Start Battery Backup, -20°C, 90 Minutes*	

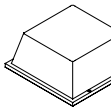


*120-277V Models Only.



EES-AMBER 12x12 Vandal Resistant Ceiling Canopy

Accessories & Replacement Parts:



CPL4



QM



P18103



P17117



P17123

Replacement Parts (Order Separately, Field Installed)

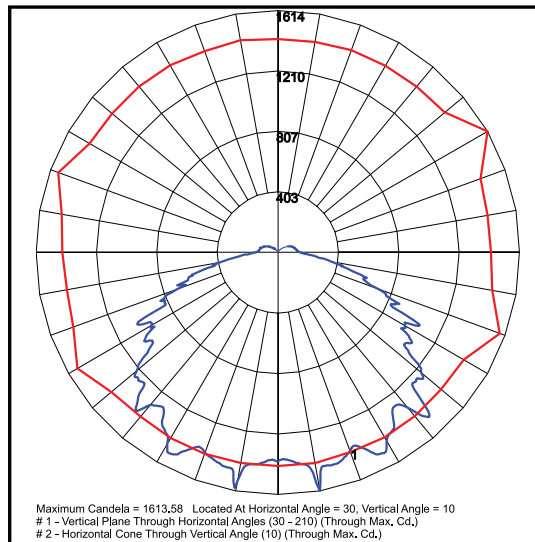
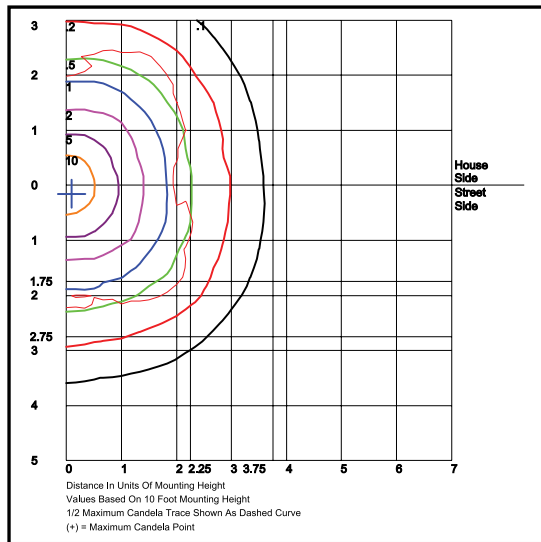
CPL4	Clear Prismatic UV-Stabilized Polycarbonate Lens with Four (4) Screw Ho
VN40PW	SoftLED LumaLens Opal UV-Stabilized Polycarbonate Lens
QM	Hinged Quick-Mount Bracket, Stamped Steel, Mount Over Recessed Electrical Box, or Use 3/4" NPS Downrod for Pendant Mounting. ETL Listed for Damp Location Mounting.
P18103	120-277VAC Photocell
P17117	Internal Microwave Sensor with Dimming for Mounting Heights of 8 to 40'. 120-277VAC, 50/60Hz
P17123	Internally Mounted Microwave On/Off Motion Sensor for Mounting Heights of 8' to 19', 120-277VAC, 50/60Hz
For Replacement Battery Backup, see the DuraGuard LED Battery Backup Specification Sheet.	

Photometric Performance

Wattage		45W	60W
(Catalog Logic)		(1X45)	(1X60)
Input Watts		45W	60W
Optic	CCT	Delivered Lumens	
F = Type V	600NM		
	AMBER	4,950	6,600
	BUG Rating	B2-U3-G2	B2-U3-G2

Photometric Data

Photometric Data



Projected Lumen Maintenance

Data shown for 5000 CCT		Compare to MH				
TM-21-11	Input Watts	Initial	25,000 Hrs	50,000 Hrs	100,000 Hrs	Calculated LED Life
L70 Lumen Maintenance @ 25°C / 77°F	All wattages up to and including 61w	1.00	0.96	0.93	0.85	201,000
L70 Lumen Maintenance @ 50°C / 122°F		1.00	0.93	0.86	0.73	110,000
L80 Lumen Maintenance @ 40°C / 104°F		1.00	0.94	0.88	0.77	86,000

NOTES:
1. Projected per IESNA TM-21-11. Data references the extrapolated performance projections for the 525mA base model in a 25°C ambient, based on 10,000 hours of LED testing per IESNA LM-80-08.
2. Compare to MH box indicates suggested Light Loss Factor (LLF) to be used when comparing to Metal Halide (MH) systems.